



RGIncredibullet

the Incredi-Bullet



Low Cost • Small • Discreet

Camera body stays COOL to make for a long life!
Incredible Picture



Check out our informative video on
the Incredibullet on our website:

www.Rugged-CCTV.com

Unbelievable Price!

Toll Free: 866-301-CCTV



RUGGED CCTV

www.Rugged-CCTV.com

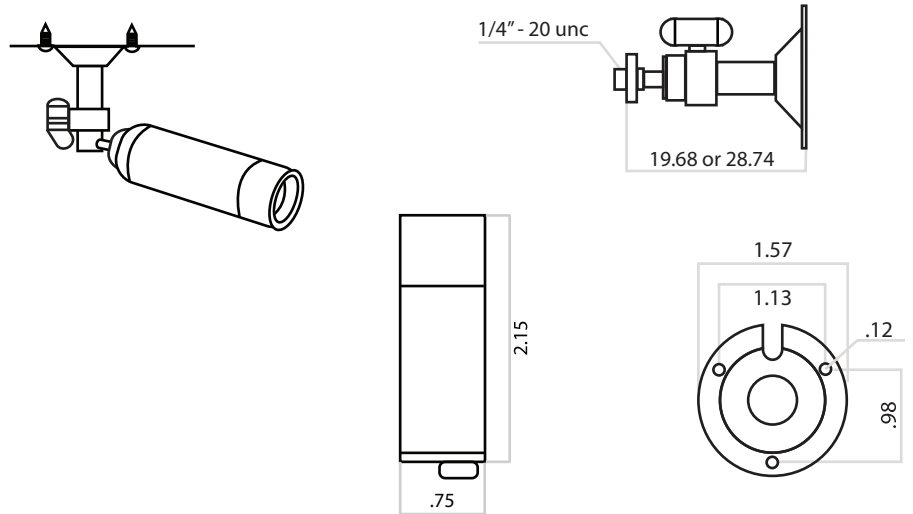
TECHNICAL SPECIFICATIONS

Model #: Incredi-Bullet

Signal Format	NTSC	PAL
Image Device	SONY 1/3 Inch Super HAD CCD (SONY 1/3 Inch EX-VIEW CCD)	
Effective Pixels	510(H) x 492(V)	500(H) x 582(V)
Scanning System	2:1 Interlace	
H. Resolution	550 TV Lines	
S/N Ratio	More than 45dB (AGC Off)	
Gamma Correction	0.45	
Low Lux Sensitivity	Super HAD CCD 0.5 Lux @ F2.0	
White Balance	Auto	
Gain Control	Auto	
Back Light Compensation	Auto	
Electronic Shutter Speed	1/60 - 1/100,000 sec Auto	1/50 - 1/100,000 sec Auto
Video Output	Composite I[Vp -p}75 unbalanced	
Operating Voltage	DC 12V (+ or - 10%)	
Current Consumption	120mA or less	
Operating Temperature	14°F ~ +122°F	
Storage Temperature	-4°F ~ +140°F	
Dimensions	.905 inches	

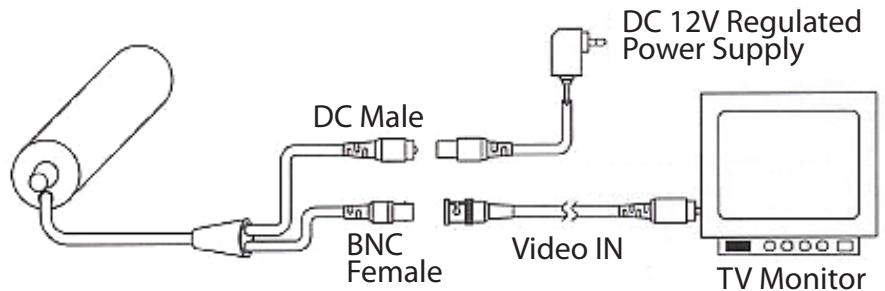
This device complies with Part 15 of the FCC Rules: Operation is subject to the following two conditions; 1. This device may not cause harmful interference. 2. This device must accept any interference received, including interference that may cause undesired operation.

Note - This equipment has been tested and found to comply with limits for a Class B digital device, pursuant to part 15 of the FCC Rules. These limits are designed to provide reasonable protection against harmful interference in a residential installation. This equipment generates, uses, and can radiate radio communications. However, there is no guarantee that interference will not occur in a particular installation.



⚠ CAUTION

1. A regulated DC 12V 300mA power supply is recommended for use with this camera for the best picture and the most stable operation. An unregulated power supply can cause damage to the camera. When unregulated power supply is applied, product warranty will be VOID.
2. It is recommended that the camera is used with a monitor that has a CCTV quality 75 video impedance level. If your monitor is switched to high impedance then please adjust accordingly.
3. Do not attempt to disassemble the camera to gain access to the internal components. Refer servicing to your dealer.
4. Never face the camera toward the sun or any bright or reflective light, which may cause smear on the picture and possible damage to the CCD.
5. Do not remove the serial sticker for the warranty service.



Your Dealer is:



RUGGED CCTV

201 North Elm Street
 Kemp, Texas 75143
 Phone: 903-498-3240 Toll Free: 866-301-CCTV
 Fax: 903-498-8989
 www.rugged-cctv.com sales@rugged-cctv.com